



DEPARTMENT OF REGULATORY AND ECONOMIC RESOURCES (RER)  
BOARD AND CODE ADMINISTRATION DIVISION

MIAMI-DADE COUNTY  
PRODUCT CONTROL SECTION

11805 SW 26 Street, Room 208  
T (786) 315-2590 F (786) 315-2599

**NOTICE OF ACCEPTANCE (NOA)**

[www.miamidade.gov/economy](http://www.miamidade.gov/economy)

**Marks USA I, LLC subsidiary of NAPCO Security Technologies, Inc.**

**365 Bayview Avenue  
Amityville, NY 11701**

**SCOPE:**

This NOA is being issued under the applicable rules and regulations governing the use of construction materials. The documentation submitted has been reviewed and accepted by Miami-Dade County RER - Product Control Section to be used in Miami Dade County and other areas where allowed by the Authority Having Jurisdiction (AHJ).

This NOA shall not be valid after the expiration date stated below. The Miami-Dade County Product Control Section (In Miami-Dade County) and/or the AHJ (in areas other than Miami-Dade County) reserve the right to have this product or material tested for quality assurance purposes. If this product or material fails to perform in the accepted manner, the manufacturer will incur the expense of such testing and the AHJ may immediately revoke, modify, or suspend the use of such product or material within their jurisdiction. RER reserves the right to revoke this acceptance, if it is determined by Miami-Dade County Product Control Section that this product or material fails to meet the requirements of the applicable building code.

This product is approved as described herein, and has been designed to comply with the Florida Building Code, including the High Velocity Hurricane Zone.-

**DESCRIPTION: Component Approval – Marks USA I, LLC Series 5, 130, 175 & 195 Lockset Hardware Devices for Commercial Steel Doors – L.M.I.**

**APPROVAL DOCUMENT:** Drawing No. MD1, titled “Marks USA 1, LLC”, sheets 1 through 8 of 8, dated 02/13/04, 11/09/15, 11/13/15, and 11/17/15, with revision A dated 06/09/16, prepared by manufacturer, signed and sealed by Ronald Ogur, P.E., bearing the Miami-Dade County Product Control Revision stamp with the Notice of Acceptance number and expiration date by the Miami-Dade County Product Control Section.

**MISSILE IMPACT RATING: Large and Small Missile Impact Resistant**

**LABELING:** Each unit shall bear a permanent label with the manufacturer's name or logo, city, state, model/series, and following statement: "Miami-Dade County Product Control Approved", unless otherwise noted herein.

**RENEWAL** of this NOA shall be considered after a renewal application has been filed and there has been no change in the applicable building code negatively affecting the performance of this product.

**TERMINATION** of this NOA will occur after the expiration date or if there has been a revision or change in the materials, use, and/or manufacture of the product or process. Misuse of this NOA as an endorsement of any product, for sales, advertising or any other purposes shall automatically terminate this NOA. Failure to comply with any section of this NOA shall be cause for termination and removal of NOA.

**ADVERTISEMENT:** The NOA number preceded by the words Miami-Dade County, Florida, and followed by the expiration date may be displayed in advertising literature. If any portion of the NOA is displayed, then it shall be done in its entirety.

**INSPECTION:** A copy of this entire NOA shall be provided to the user by the manufacturer or its distributors and shall be available for inspection at the job site at the request of the Building Official.

This NOA revises and renews NOA# 08-1204.03 and consists of this page 1 and evidence pages E-1 and E-2, as well as approval document mentioned above.

The submitted documentation was reviewed by **Manuel Perez, P.E.**



*MP*  
*10/29/16*

NOA No. 16-0316.03  
Expiration Date: October 27, 2021  
Approval Date: October 27, 2016  
Page 1

**Marks USA I, LLC subsidiary of NAPCO Security Technologies, Inc.**

**NOTICE OF ACCEPTANCE: EVIDENCE SUBMITTED**

**A. DRAWINGS**

1. Manufacturer's die drawings and sections.  
*(Submitted under NOA's # 03-1112.01 and # 08-1204.03)*
2. Drawing No **MD1**, titled "Marks USA 1LLC", sheets 1 through 8 of 8, dated 02/13/04, 11/09/15, 11/13/16 and 11/17/16, prepared by manufacturer, signed and sealed by Ronald Ogur, P.E.

**B. TESTS**

1. Test reports on: 1) Air Infiltration Test, per FBC, TAS 202-94  
2) Uniform Static Air Pressure Test, Loading per FBC TAS 202-94  
3) Water Resistance Test, per FBC, TAS 202-94  
4) Large Missile Impact Test per FBC, TAS 201-94  
5) Cyclic Wind Pressure Loading per FBC, TAS 203-94  
6) Forced Entry Test, per FBC 3603.2 (b) TAS 202-94  
along with marked-up drawings and installation diagram of 3 specimens of a commercial steel door (X), prepared by National Certified Testing Laboratories, Test Report No. **NCTL-110-19130-01**, dated 05/06/16, revised on 06/23/16 and 09/20/16, signed and sealed by Harold E. Rupp, P.E.
2. Test reports on: 1) Air Infiltration Test, per FBC, TAS 202-94  
2) Uniform Static Air Pressure Test, Loading per FBC TAS 202-94  
3) Water Resistance Test, per FBC, TAS 202-94  
4) Large Missile Impact Test per FBC, TAS 201-94  
5) Cyclic Wind Pressure Loading per FBC, TAS 203-94  
6) Forced Entry Test, per FBC 3603.2 (b) TAS 202-94  
along with marked-up drawings and installation diagram of 3 specimens of a commercial steel door (X), prepared by Hurricane Test Laboratory, Inc., Test Report No. **HTL-0279-1017-01**, dated 10/17/01, signed and sealed by Vinu J. Abraham, P.E.  
*(Submitted under NOA # 03-1112.01)*

**C. CALCULATIONS: (For reference only from door approval file)**

1. None

**D. QUALITY ASSURANCE**

1. Miami-Dade Department of Regulatory and Economic Resources (RER).

**E. MATERIAL CERTIFICATIONS**

1. None.

  
Manuel Pérez, P.E.  
Product Control Examiner

NOA No. 16-0316.03

Expiration Date: October 27, 2021

Approval Date: October 27, 2016

Marks USA I, LLC subsidiary of NAPCO Security Technologies, Inc.

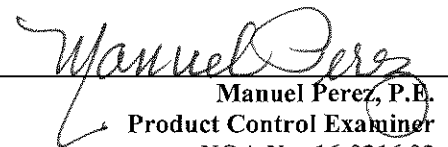
NOTICE OF ACCEPTANCE: EVIDENCE SUBMITTED

**F. STATEMENTS**

1. Statement letter of conformance, complying with **FBC-5<sup>th</sup> Edition (2014)**, and of no financial interest, dated June 17, 2016, issued, signed and sealed by Ronald Ogur, P.E.
2. Proposal No. **15-1231R** issued by the Product Control Section, dated September 18, 2015 and revised on November 30, 2015, signed by Manuel Perez, P.E.

**G. OTHER**

1. Notice of Acceptance No. **08-1204.03**, issued to Marks USA, a subsidiary of NAPCO Security Systems, Inc., for their Component Approval – Marks Series 5, 130 & 170 Lockset Hardware Devices-for Commercial Steel Doors – L.M.I., approved on 06/10/09 and expiring on 04/01/14.

  
Manuel Perez, P.E.  
Product Control Examiner  
NOA No. 16-0316.03

Expiration Date: October 27, 2021  
Approval Date: October 27, 2016

MARKS USA 1LLC  
 SUBSIDIARY OF NAPCO SECURITY TECHNOLOGIES INC.  
 365 BAYVIEW AVE.  
 AMITYVILLE, NY 11701

MIAMI-DADE APPROVED  
 HARDWARE COMPONENTS

GENERAL NOTES

1. THIS PRODUCT IS DESIGNED TO MEET FLORIDA BUILDING CODE 5TH EDITION (2014) FOR HIGH VELOCITY HURRICANE ZONE.
2. THE LOCK HARDWARE PRODUCTS LISTED IN THIS NOA SHALL BE USED IN CONJUNCTION WITH CURRENT NOA'S UTILIZING SIMILAR COMPONENTS AND WILL BE LIMITED BY THE LESSER DESIGN PRESSURE. THE PRODUCTS CAN BE USED WITH STEEL SIDE HINGED SWING DOORS, HOLDING CURRENT NOA.
3. DESIGN PRESSURE RATING SEE TABLE PAGE 1.
4. THE LOCK HARDWARE PRODUCTS LISTED IN THIS NOA MEET THE REQUIREMENTS FOR HIGH VELOCITY HURRICANE WIND BORNE DEBRIS ZONES AS PRESCRIBED IN SECTION 1626 OF THE FLORIDA BUILDING CODE, DESIGN PRESSURES ARE LIMITED BY THE NOA'S THAT THEY ARE USED IN CONJUNCTION WITH.

RESIDENTIAL & LIGHT COMMERCIAL 161 HARDWARE

MARKS USA 175 SERIES-CYLINDRICAL LOCK, GRADE 2 WITH  
 MARKS USA 130 SERIES-SINGLE CYLINDER DEAD BOLT LOCK, GRADE 2.  
 MARKS USA 195 SERIES-CYLINDRICAL LOCK, GRADE 1  
 MARKS USA 5 SERIES-MORTISE LOCK SET, GRADE 1

TABLE OF CONTENTS:

SHEET#	DESCRIPTION
1	GENERAL NOTES AND APPROVED HARDWARE MODELS
2	TYPICAL JAMB TO BUCK AND DOOR CROSS SECTION
3	MARKS USA, 5 SERIES MORTISE LOCK INSTALLATION TEMPLATE
4	MARKS USA, 175, 195 AND 475 SERIES CYLINDRICAL LOCK INSTALLATION TEMPLATE
5	MARKS USA, 130 SERIES DEADBOLT WITH 175 CYLINDRICAL LOCK INSTALLATION TEMPLATE
6	MARKS USA 5 SERIES MORTISE LOCK SPECIFICATIONS
7	MARKS USA 175 / 475 SERIES CYLINDRICAL & 130 SERIES TUBULAR DEADBOLT SPECIFICATIONS
8	MARKS USA 195 SERIES CYLINDRICAL LOCK SPECIFICATIONS

DATE	REV.	DESCRIPTION	AUTH.	DRWN.	CHK.
06/09/16	A	UPDATED SPEC'S; REMOVED EXIT DEVICES	G.M.	L.M.	G.M.

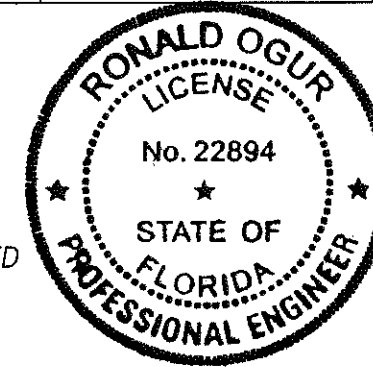
DESIGN PRESSURE RATING OUT/INSWING UNITS

HARDWARE MODEL	DOOR SIZE, TYPE & SWING (UNDER SEPARATE APPROVAL)	HARDWARE MODEL
MARKS USA 175 SERIES ANSI GRADE 2 CYLINDRICAL LOCKSET WITH 130 SERIES ANSI GRADE 2 DEADBOLT	35 3/4" X 83 1/8" STEEL OUT-SWING	+90.0 psf -90.0 psf
MARKS USA 195 SERIES ANSI GRADE 1 CYLINDRICAL LOCKS	35 3/4" X 83 1/8" STEEL OUT-SWING	+90.0 psf -90.0 psf
MARKS USA 5 SERIES ANSI GRADE 1 MORTISE LOCKS	35 3/4" X 83 1/8" STEEL OUT-SWING	+90.0 psf -90.0 psf

LIMITATION AND SPECIFICATION NOTES

1. THIS DEVICE IS APPROVED TO BE EQUAL ALTERNATIVE TO BE USED IN SINGLE STEEL DOORS, HOLDING CURRENT NOA. THE LOWEST DESIGN PRESSURE RATING SHALL APPLY.
2. DOOR PANEL SHALL BE CORE FILLED WITH 3/4" CELL PAPER HONEYCOMB WITH MINIMUM OVERALL 1.75" THICKNESS.
3. DOOR PANEL FACE SHEETS TO BE MINIMUM 18 GA. (.045"MIN) OR BETTER FOR STEEL DOORS.
4. DOOR JAMBS SHALL BE MINIMUM 2" WIDE x 5.75" DEEP 16 GA. (.057"MIN) HOLLOW METAL STEEL FRAME OR BETTER.
5. THIS DEVICE SHALL BE INSTALLED IN A SINGLE DOOR NO WIDER THAN 35 3/4" AND HIGHER THAN 83 1/8" (SEE DESIGN PRESSURE TABLE).
6. ELECTRICAL/ELECTRONIC FUNCTION AND INSTALLATION OTHER THAN SELF CONTAINED ELECTRONIC DEVICE, IS NOT PART OF THIS APPROVAL AND SUCH INSTALLATION MUST BE REVIEWED BY CORRESPONDING BUILDING AUTHORITY.
7. LOCK REINFORCEMENT FOR MORTISE LOCKS SHALL BE .074" MINIMUM ROLL FORMED STEEL, 1.6875" WIDE, 4.75" DEEP WITH .035" LOCK CLIP, GLUED TO FACE SHEETS. TWO LOCK MOUNTING TABS, MINIMUM .074" WELDED TO DOOR EDGE 4 PLACES EACH. PREPARED FOR #12-24 LOCK MOUNTING SCREWS.
8. LOCK REINFORCEMENT FOR CYLINDRICAL AND TUBULAR LOCKS SHALL BE MINIMUM .078" ROLL FORMED STEEL, 1" WIDE, .66" DEEP, WELDED TO DOOR EDGE 4 PLACES. PREPARED FOR #8-32 LOCK MOUNTING SCREWS.

DD  
 6-17-16



APPROVALS	DATE
DRAWN: E.B.	11-13-15
CHECKED:	
APPROVED:	

UNLESS OTHERWISE SPECIFIED DIMENSIONS ARE IN INCHES.

TOLERANCES ARE:  
 FRACTIONS ± 1/64  
 DECIMALS .XXX ± .005  
 ANGLES ± 1'

DO NOT SCALE DRAWING

PREPARED BY:  
 RONALD OGUR  
 FPE # 22894  
 STRUCTURAL AND CIVIL ENGINEER  
 40 UNDERHILL BLVD.  
 SYOSSET, N.Y. 11791

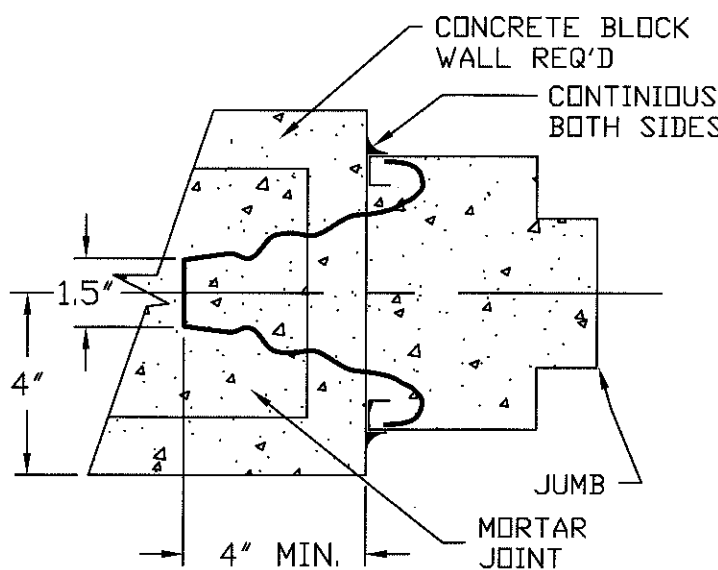
PRODUCT REVISED as complying with the Florida Building Code  
 Acceptance No 16-0316-03  
 Expiration Date 06/17/2021  
 By [Signature]  
 Miami Dade Product Control

MARKS USA 1LLC

GENERAL NOTES AND APPROVED HARDWARE MODELS

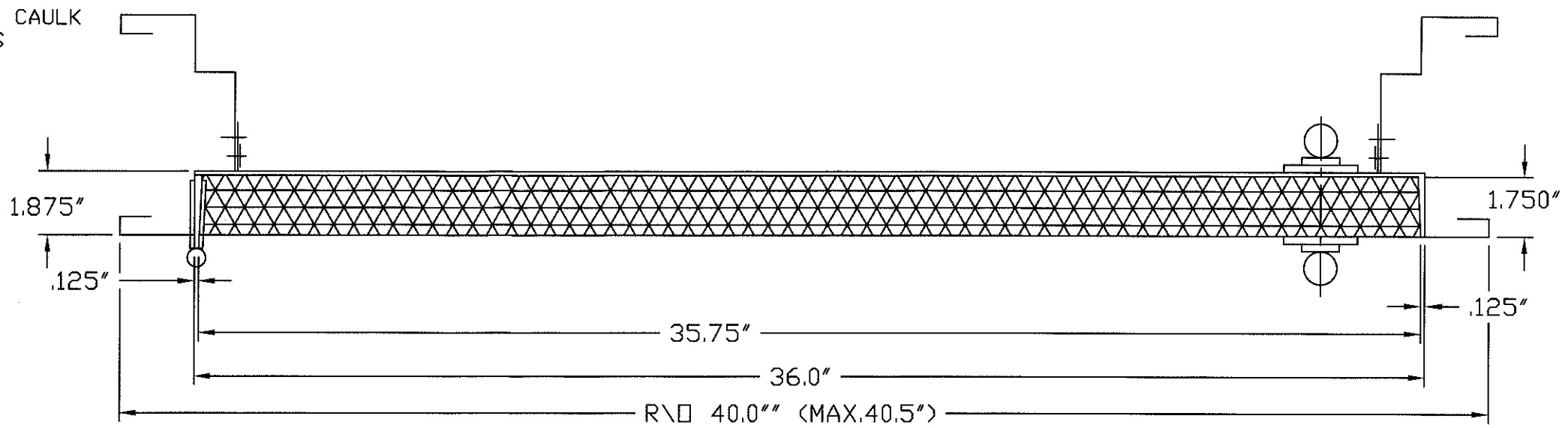
DWG. NO.	MD1	REV.	A
SCALE:	N.T.S.	SHEET	1 OF 8

DATE	REV.	DESCRIPTION	AUTH.	DRWN.	CHK.
06/09/16	A	UPDATED SHEET #	G.M.	L.M.	G.M.

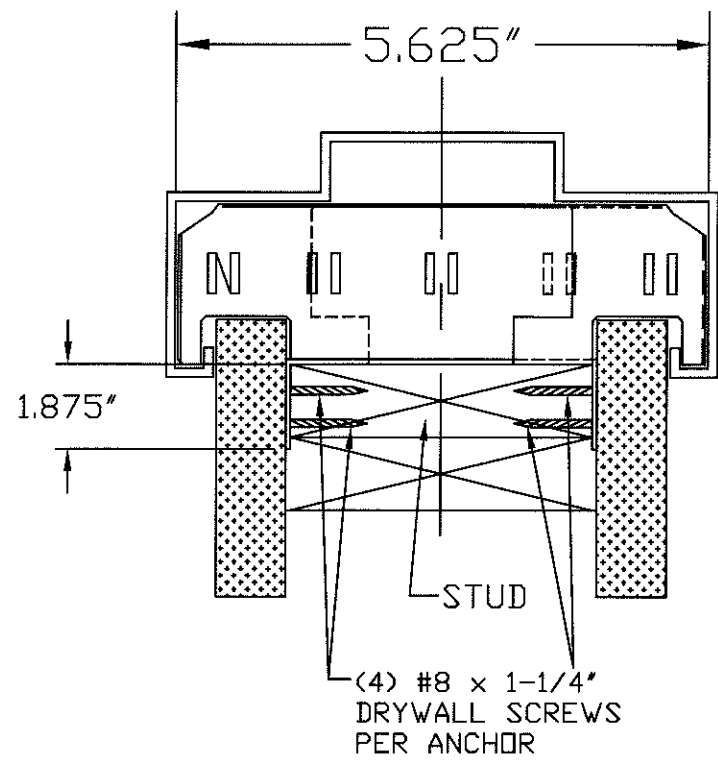


MASONRY WIRE ANCHORS (0.175" DIA.)  
IN HORIZ. MORTAR JOINTS;  
FILL LAMBS SOLID WITH MORTAR

WIRE ANCHOR DETAIL



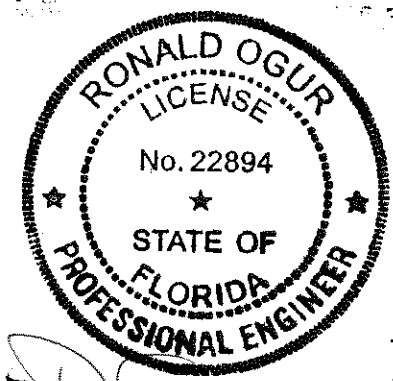
TYPICAL FLUSH OUTSWING COMMERCIAL STEEL



STUD ANCHOR DETAIL

DOOR AND FRAME:  
MINIMUM DOOR THICKNESS OF 1-3/4"  
STEEL FRAME: BRAKE FORMED STEEL, .057" MINIMUM WITH  
DIE MITERED, CONTINUOUSLY WELDED CORNERS.

LOCK AND STRIKE MOUNTING SCREWS:  
MORTISE LOCK AND STRIKE: 12-24 x 3/4" FLAT HEAD COMBINATION THREAD  
CYLINDRICAL LOCK: 8-32 x 3/4" FLAT HEAD COMBINATION THREAD  
CYLINDRICAL LOCK STRIKE: 12-24 x 3/4" FLAT HEAD COMBINATION THREAD  
DEADBOLT LOCK AND STRIKE: 8-32 x 3/4" FLAT HEAD COMBINATION THREAD



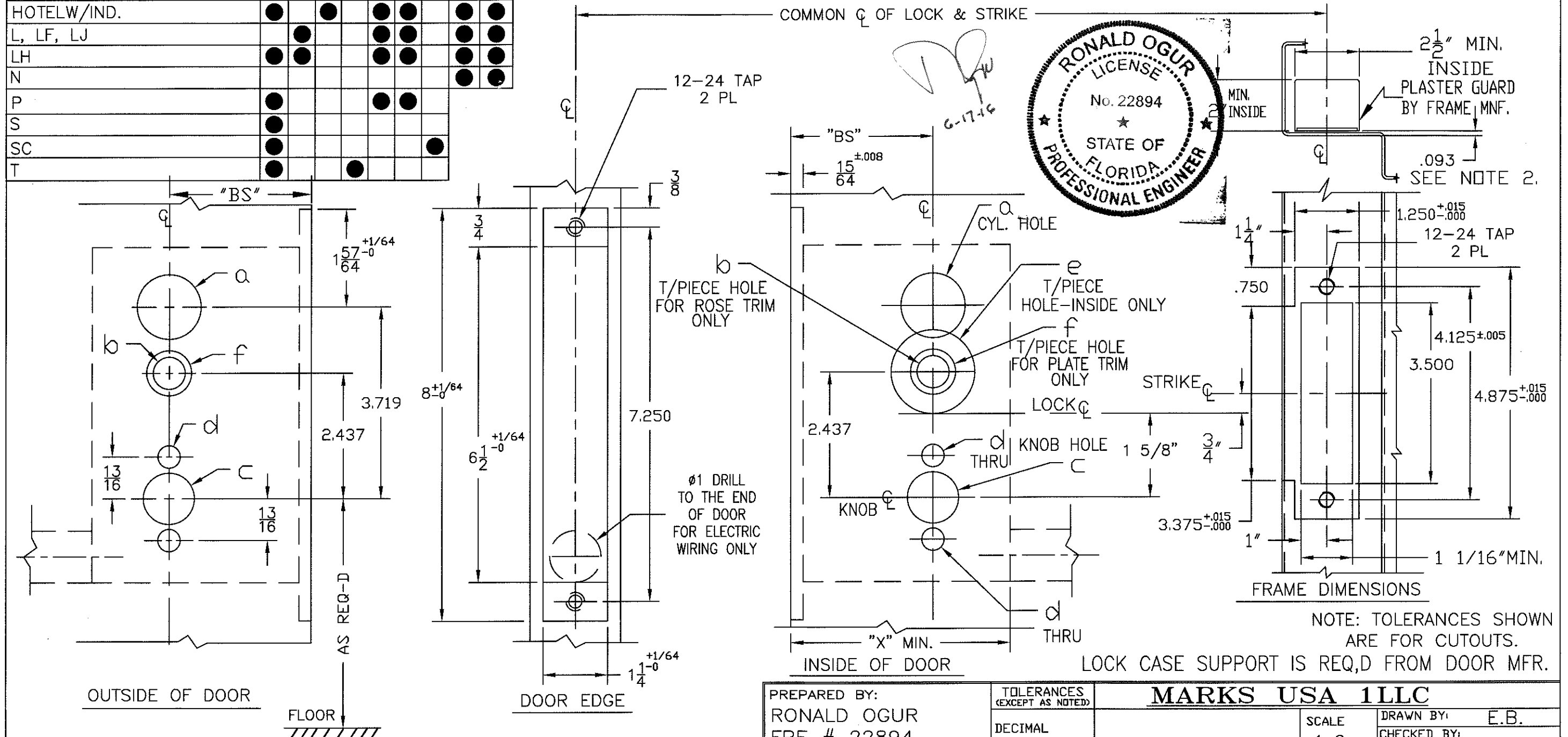
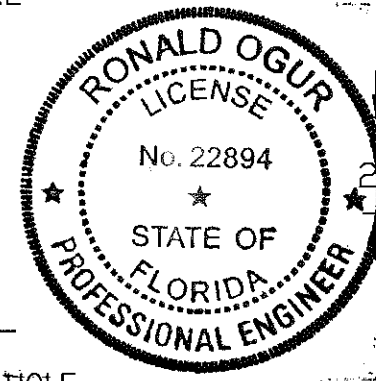
*Handwritten signature and date: 6-17-16*

PREPARED BY: <b>RONALD OGUR</b> FPE # 22894 STRUCTURAL AND CIVIL ENGINEER 40 UNDERHILL BLVD. SYOSSET, N.Y. 11791 PRODUCT REVISED as complying with the Florida Building Code Acceptance No. 16-0316-03 Expiration Date Oct. 21, 2021 By <i>Manuel Jimenez</i> Miami Dade Product Control	APPROVALS DRAWN: E.B. CHECKED: APPROVED:	DATE 11/13/15	MARKS USA 1LLC SUBSIDIARY OF NAPCO SECURITY TECHNOLOGIES INC.		
	UNLESS OTHERWISE SPECIFIED DIMENSIONS ARE IN INCHES. TOLERANCES ARE: FRACTIONS    DECIMALS    ANGLES $\pm \frac{1}{64}$ .XXX $\pm 0.005$ $\pm 1'$				
DO NOT SCALE DRAWING		SCALE: NONE	DWG. NO. MD 1	REV: A	
			SHEET 2 OF 8		

DATE	REV.	DESCRIPTION	AUTH.	DRWN.	CHK.
06/09/16	A	UPDATED TITLE AND SHEET #	G.M.	L.M.	G.M.

FUNCTIONS	HOLE	HOLES REQUIRED									
		OUTSIDE OF DOOR			INSIDE OF DOOR				THRU		
		a	b	f	a	b	f	e	c	d	
	DIA.	1 1/4	5/8	7/8	1 1/4	5/8	7/8	5/8	1	3/8	
A, B, BW, F, FD, FS, FW, H		●			●	●		●	●		
AC, C, FA, FC, FX, G, GC, GL, WW		●			●			●	●		
D, DW, E, EL, EU, EW, J, JM		●						●	●		
HOTELW/IND.		●		●	●	●		●	●		
L, LF, LJ			●		●	●		●	●		
LH		●	●		●	●		●	●		
N								●	●		
P		●			●	●					
S		●									
SC		●							●		
T		●			●						

NOTE: 1. CONSULT FACTORY TO INSURE TEMPLATE IS LATEST REVISION.  
2. ADD 1/64" WHEN DUST BOX IS USED.



PRODUCT REVISED as complying with the Florida Building Code  
 Acceptance No. 16-0316-03  
 Expiration Date Oct. 27, 2021  
 By Manuel Perez  
 Miami Dade Product Control

ISSUED DATE: 10-27-2021

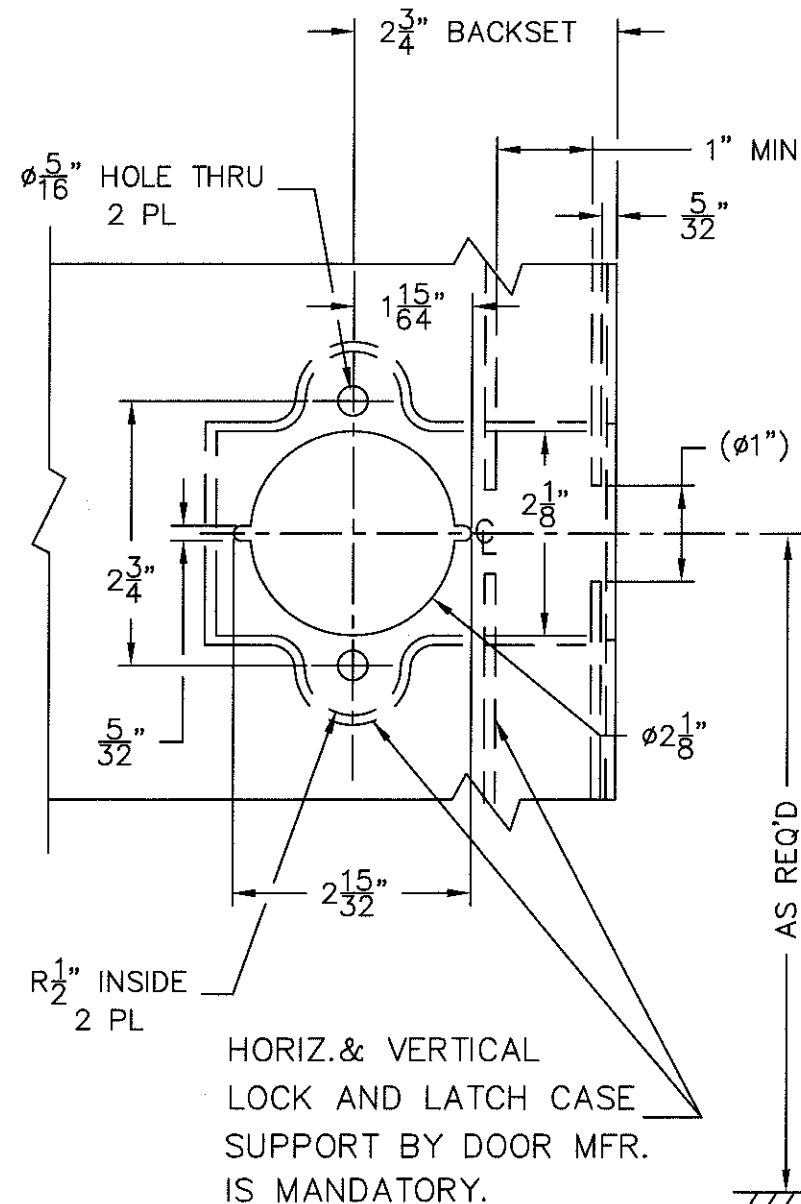
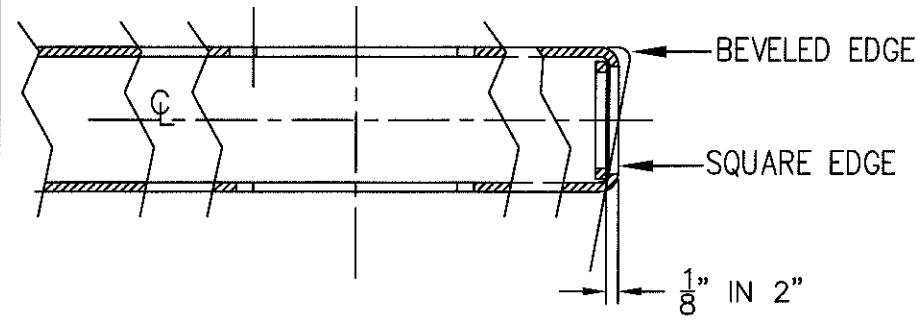
© 2004 MARKS USA 1LLC

LOCKSET SERIES	"BS"	"X" MIN.
5	2 3/4	4 1/4
55	2 1/2	4

PREPARED BY: RONALD OGUR FPE # 22894 STRUCTURAL AND CIVIL ENGINEER 40 UNDERHILL BLVD. SYOSSET, N.Y. 11791	TOLERANCES (EXCEPT AS NOTED)	<b>MARKS USA 1LLC</b> SCALE 1:2 DRAWN BY: E.B. CHECKED BY: APPROVED BY:		
	DECIMAL ±.005			
	FRACTIONAL ±1/64"	TITLE MARKS USA, 5 SERIES MORTISE LOCK INSTALLATION TEMPLATE		
ANGULAR ±1°	DATE 02-13-04	DWG. SIZE: B	DRAWING NUMBER MD1	REV. A
		SHEET 3 OF 8		

DATE	REV.	DESCRIPTION	AUTH.	DRWN.	CHK.
06/09/16	A	UPDATED TITLE AND SHEET #	G.M.	L.M.	G.M.

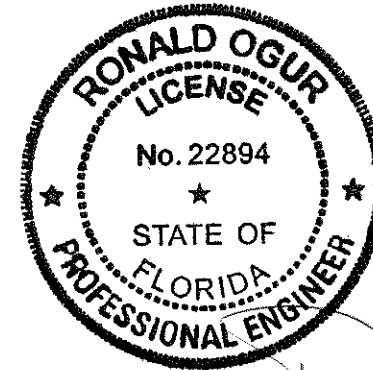
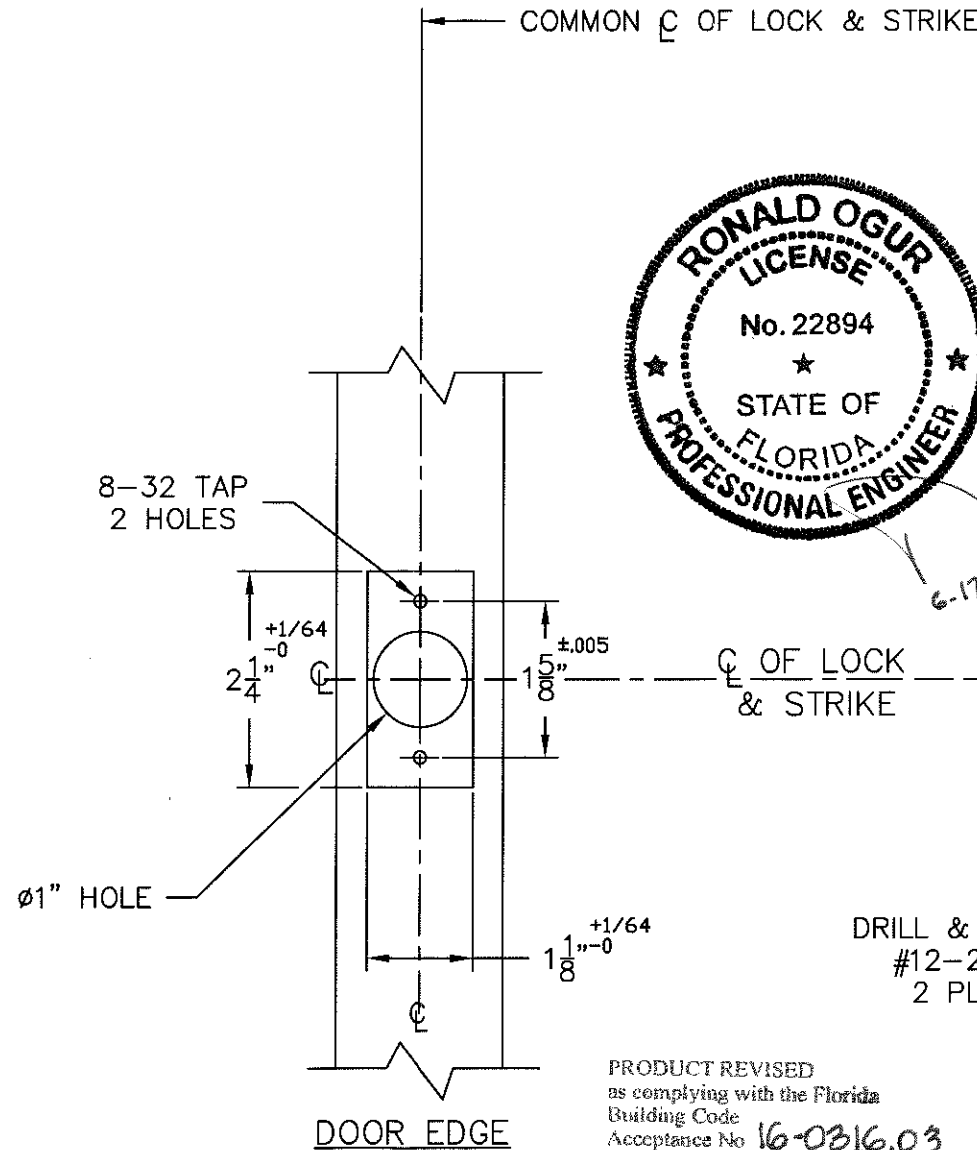
- NOTE: 1. CONSULT FACTORY TO INSURE TEMPLATE IS LATEST REVISION.  
 2. LOCK CASE SUPPORT IS REQUIRED FROM DOOR MFR.  
 3. ADD 1/32" WHEN DUST BOX AND STRIKE .080±.002 THICKNESS ARE USED



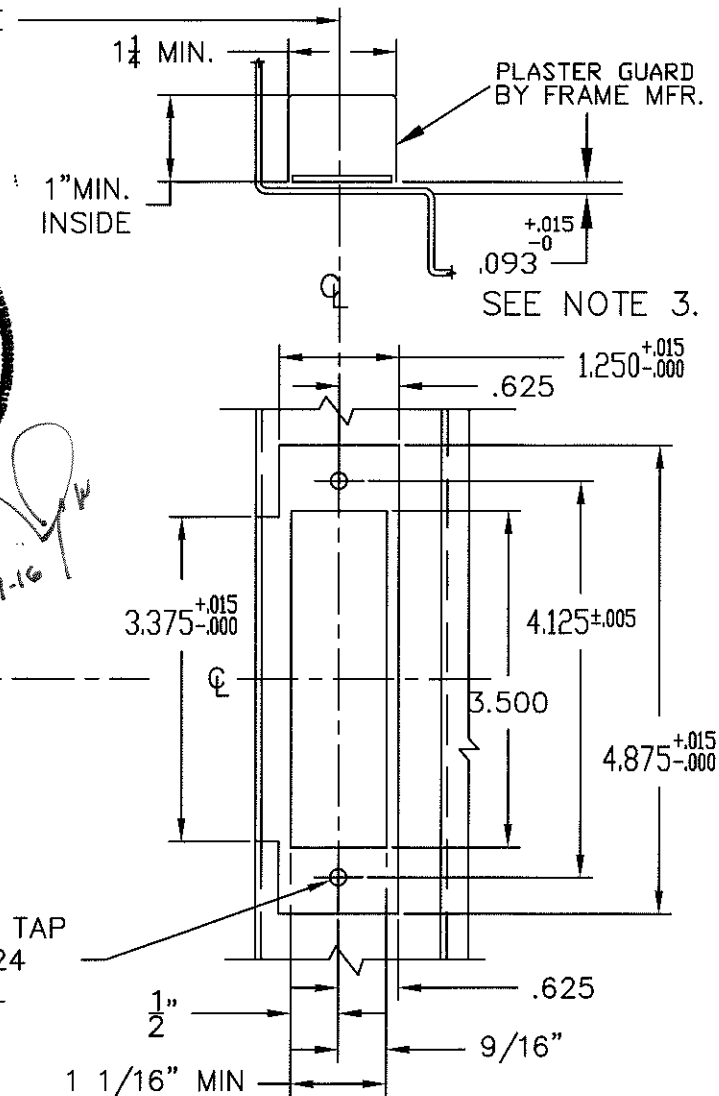
OUTSIDE OF DOOR

ISSUED DATE:

© 2004 MARKS USA 1LLC



PRODUCT REVISED  
 as complying with the Florida  
 Building Code  
 Acceptance No. 16-0316.03  
 Expiration Date Oct. 27, 2021  
 By *Manuel Perez*  
 Miami/Under Product Control



FRAME DIMENSIONS

NOTE: TOLERANCES SHOWN ARE FOR CUTOUTS.

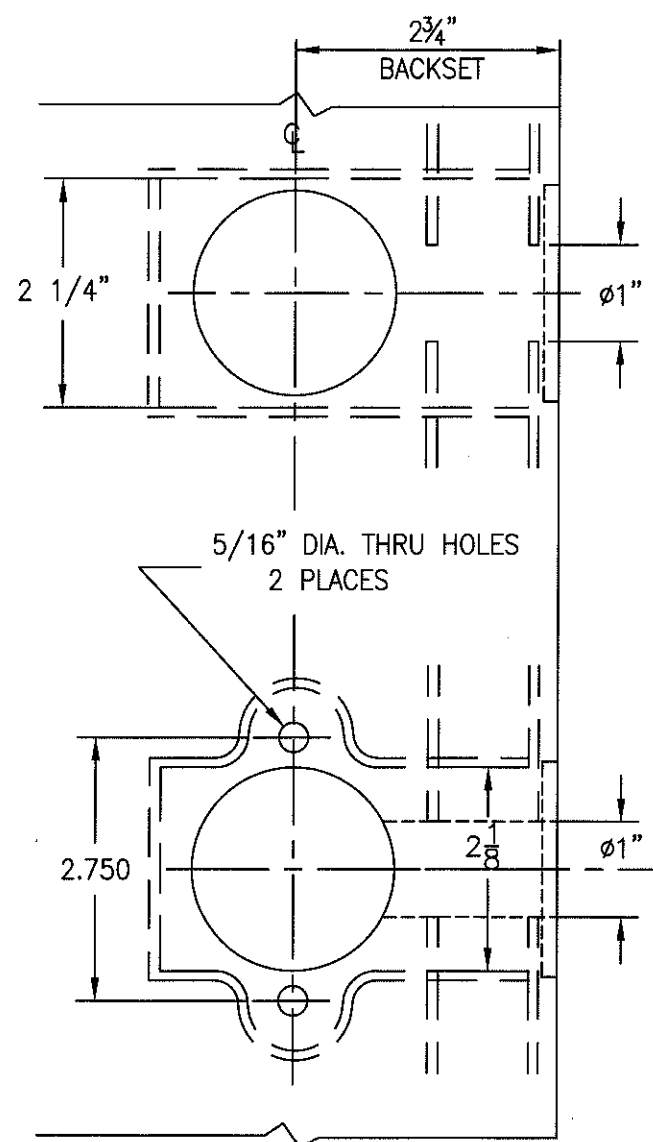
FUNCTIONS :						
AB	DA	DC	DW	F	H	—
L	N	NB	P	S	SB	—
RAB	RDA	RDC	RDW	RF	RS	RSB

PREPARED BY:  
 RONALD OGUR  
 FPE # 22894  
 STRUCTURAL AND CIVIL ENGINEER  
 40 UNDERHILL BLVD.  
 SYOSSET, N.Y. 11791

TOLERANCES (EXCEPT AS NOTED)
DECIMAL ±.005
FRACTIONAL ±1/64"
ANGULAR ±1°

MARKS USA 1LLC			
SCALE 1:2	DRAWN BY: E.B.		CHECKED BY:
APPROVED BY:			
TITLE MARKS USA 175,195 AND 475 SERIES CYLINDRICAL LOCK INSTALLATION TEMPLATE			
DATE 02-13-04	DWG. SIZE: B	DRAWING NUMBER MD1	REV. A
SHEET 4 OF 8			

DATE	REV.	DESCRIPTION	AUTH.	DRWN.	CHK.
06/09/16	A	UPDATED TITLE AND SHEET #	G.M.	L.M.	G.M.



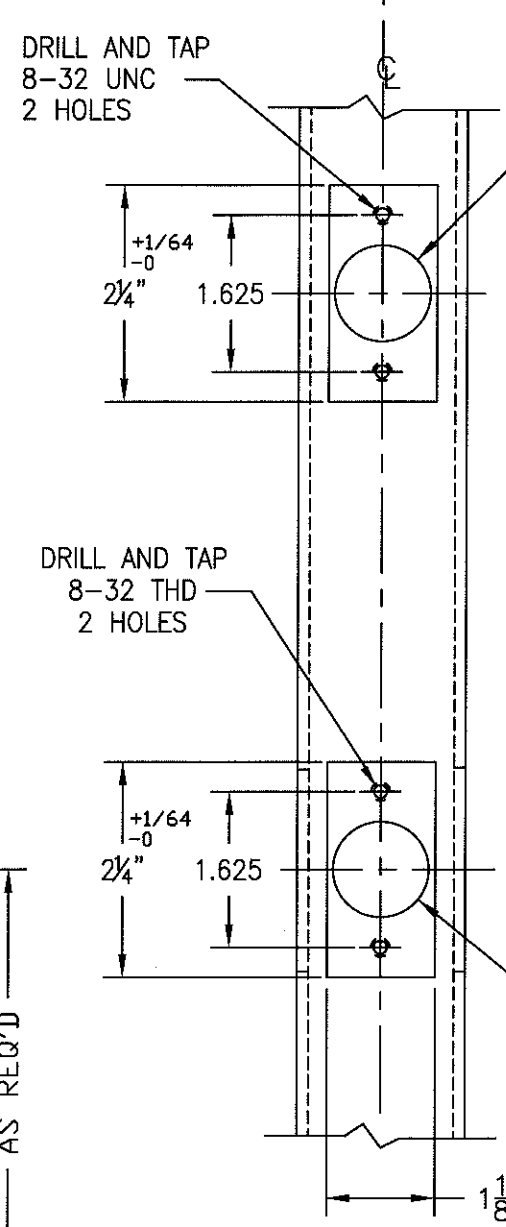
OUTSIDE OF DOOR

PRODUCT REVISED  
 as complying with the Florida  
 Building Code  
 Acceptance No. 16-0316.03  
 Expiration Date Oct. 21, 2021  
 By *Manuel Jerez*  
 Miami Dade Product Control

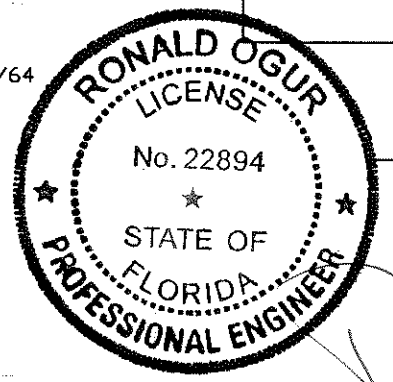
LOCK AND LATCH CASE SUPPORTS ARE REQUIRED  
 FROM DOOR MANUFACTURER

ISSUED DATE:

© 2005 MARKS USA 1LLC



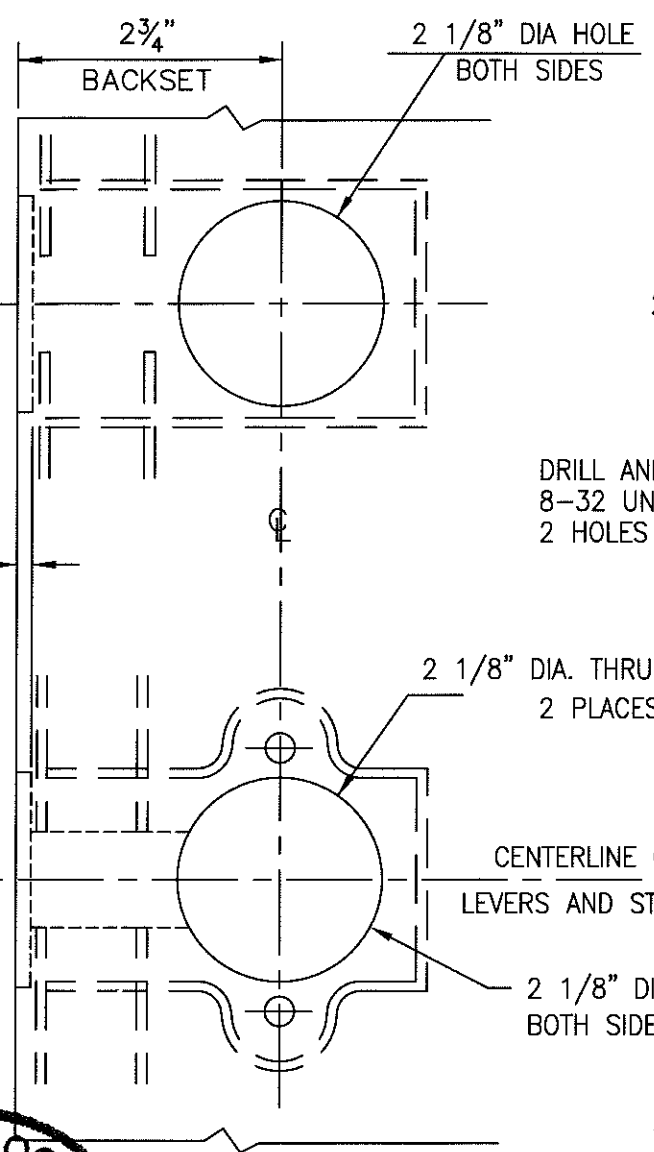
DOOR EDGE



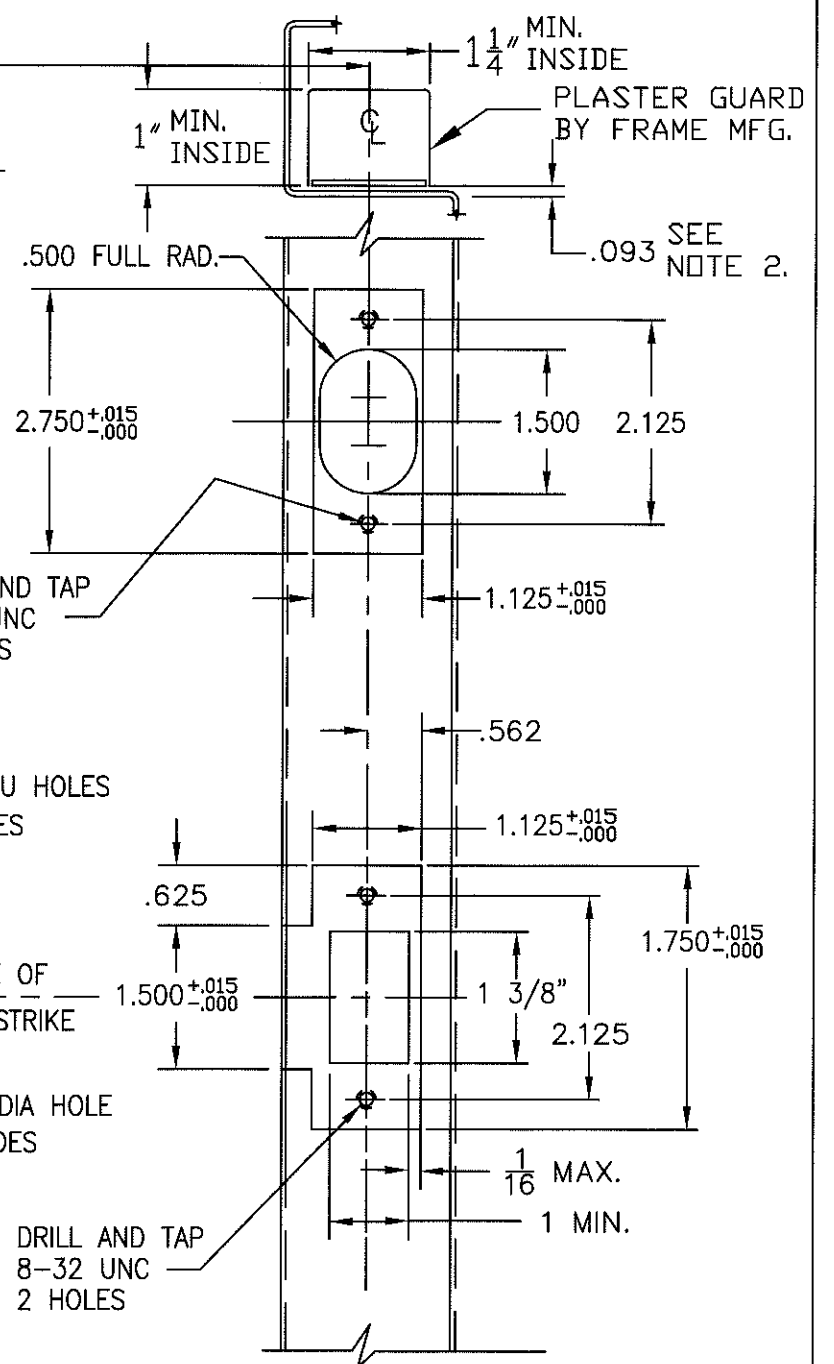
NOTES:

1. CONSULT FACTORY TO ENSURE TEMPLATE IS LATEST REVISION.
2. ADD 1/64" WHEN DUST BOX IS USED
3. TOLERANCES SHOWN ARE FOR CUT OUTS

COMMON C OF LOCK & STRIKE



INSIDE OF DOOR



FRAME DIMENSIONS

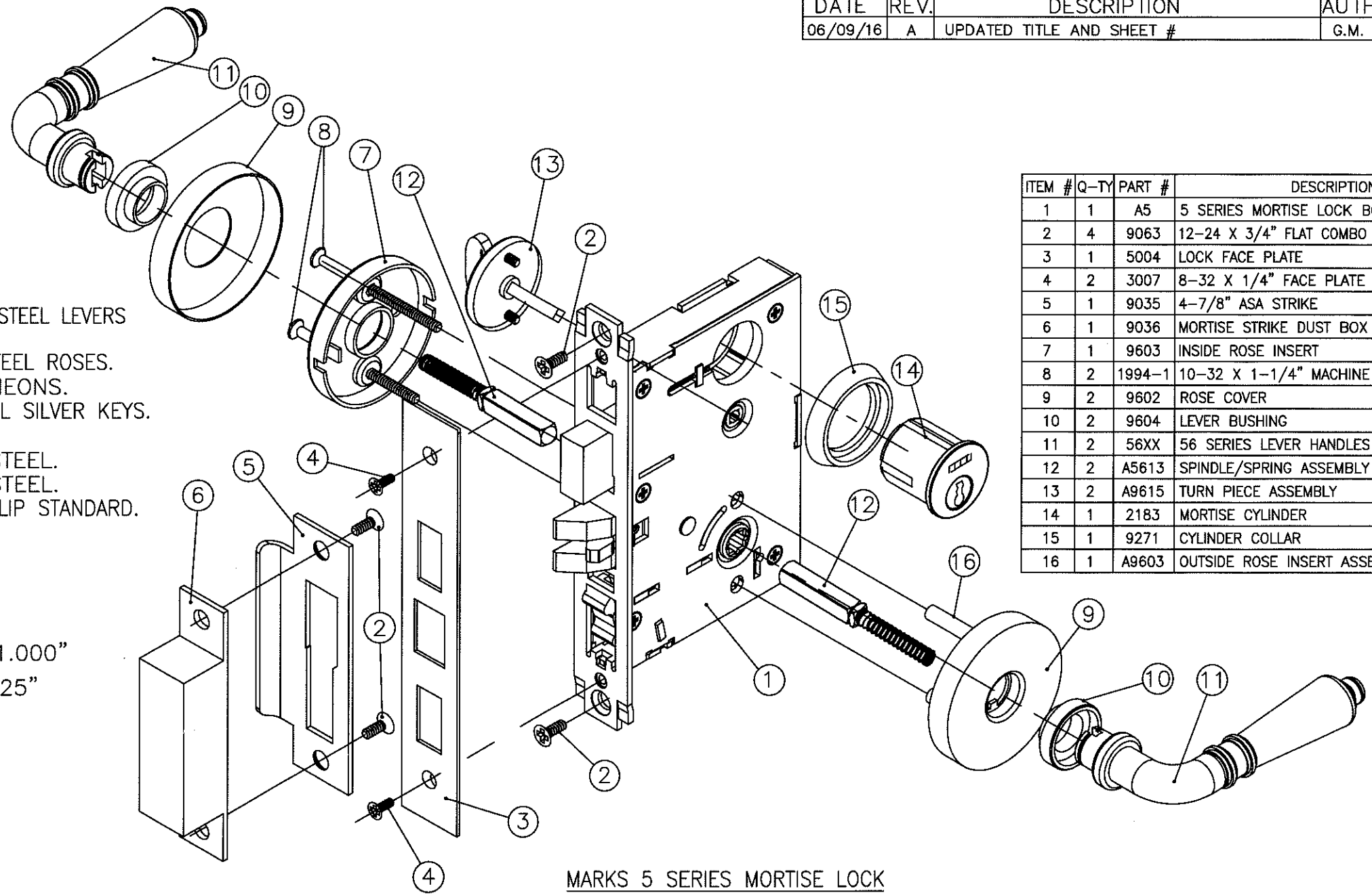
TOLERANCES (EXCEPT AS NOTED)		MARKS USA 1LLC		
DECIMAL	±.005	SCALE:	DRAWN BY: E.B.	
FRACTIONAL	±.010	1:2	CHECKED BY:	
ANGULAR	±1°		APPROVED BY:	
TITLE		DATE	DWG. SIZE	DWG. NO.
MARKS USA 130 DEADBOLT WITH 175 CYLINDRICAL LOCK INSTALLATION TEMPLATE		11/17/15	B	MD1
SHEET 5 OF 8				REV. A



DATE	REV.	DESCRIPTION	AUTH.	DRWN.	CHK.
06/09/16	A	UPDATED TITLE AND SHEET #	G.M.	L.M.	G.M.

MORTISE LOCK SPECIFICATION:  
 5-SERIES = ANSI A156.13 - 2012  
 GRADE 1 OPERATIONAL  
 GRADE 1 SECURITY  
 UL LISTED FOR 3 HOUR DOORS  
 EXPOSED TRIM: FORGED BRASS AND STAINLESS STEEL LEVERS OR KNOBS  
 WROUGHT BRASS, BRONZE AND STAINLESS STEEL ROSES.  
 WROUGHT AND COLD FORGED ESCUTCHEONS.  
 KEYING: 6 PIN BRASS CYLINDERS WITH NICKEL SILVER KEYS.  
 BACK SET: 2 3/4", 2 1/2" AVAILABLE  
 LATCHES: 3/4" THROW - STAINLESS STEEL.  
 DEAD BOLT: 1" THROW - STAINLESS STEEL.  
 STRIKE: ANSI 1 1/4" X 4 7/8" X 1 3/16" LIP STANDARD.

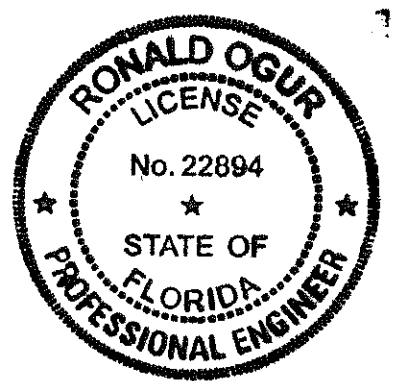
LATCHBOLT/DEADBOLT DIMENSIONS:  
 LATCHBOLT: 3/4" THROW, .640" X 1.000"  
 DEADBOLT: 1" THROW, .500" X 1.125"



ITEM #	Q-TY	PART #	DESCRIPTION
1	1	A5	5 SERIES MORTISE LOCK BODY
2	4	9063	12-24 X 3/4" FLAT COMBO THREAD SCREW
3	1	5004	LOCK FACE PLATE
4	2	3007	8-32 X 1/4" FACE PLATE SCREW
5	1	9035	4-7/8" ASA STRIKE
6	1	9036	MORTISE STRIKE DUST BOX
7	1	9603	INSIDE ROSE INSERT
8	2	1994-1	10-32 X 1-1/4" MACHINE SREW
9	2	9602	ROSE COVER
10	2	9604	LEVER BUSHING
11	2	56XX	56 SERIES LEVER HANDLES
12	2	A5613	SPINDLE/SPRING ASSEMBLY
13	2	A9615	TURN PIECE ASSEMBLY
14	1	2183	MORTISE CYLINDER
15	1	9271	CYLINDER COLLAR
16	1	A9603	OUTSIDE ROSE INSERT ASSEMBLY

MARKS 5 SERIES MORTISE LOCK

*Handwritten signature and date:*  
 6-17-16



PREPARED BY:  
 RONALD OGUR  
 FPE # 22894  
 STRUCTURAL AND CIVIL ENGINEER  
 40 UNDERHILL BLVD.  
 SYOSSET, N.Y. 11791

PRODUCT REVISED  
 as complying with the Florida  
 Building Code  
 Acceptance No. 16-0316-03  
 Expiration Date Oct. 27, 2021  
 By *Manuel Perez*  
 Miami Dade Product Control

APPROVALS		DATE
DRAWN:	E.B.	11-09-15
CHECKED:		
APPROVED:		
UNLESS OTHERWISE SPECIFIED DIMENSIONS ARE IN INCHES.		
TOLERANCES ARE:		
FRACTIONS	DECIMALS	ANGLES
± 1/64	.XXX ± .005 .XX ± .010	± 1'
DO NOT SCALE DRAWING		

MARKS USA 1LLC  
 SUBSIDIARY OF NAPCO SECURITY TECHNOLOGIES INC.

TITLE: MARKS USA 5 SERIES MORTISE LOCK SPECIFICATIONS

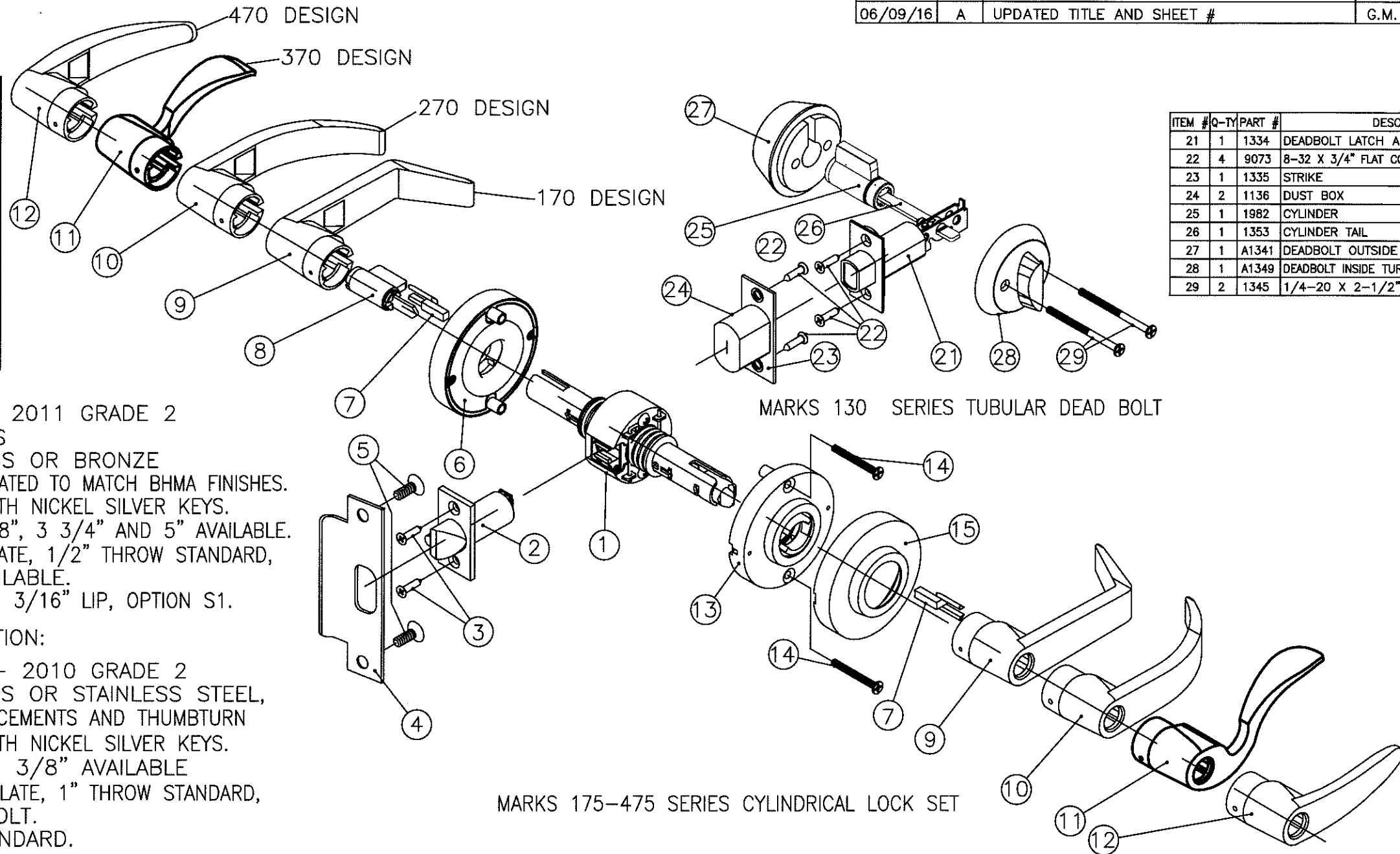
DWG. NO.	MD1	REV:	A
SCALE:	N.T.S.	SHEET	6 OF 8

MD1

SHEET 7 OF 8

DATE	REV.	DESCRIPTION	AUTH.	DRWN.	CHK.
06/09/16	A	UPDATED TITLE AND SHEET #	G.M.	L.M.	G.M.

ITEM #	Q-TY	PART #	DESCRIPTION
1	1	A170	CYLINDRICAL LOCK CHASSIS
2	1	1134	LATCH ASSEMBLY
3	1	9073	8-32 X 3/4" FLAT COMBO THREAD SCREW
4	2	1135	STRIKE
5	2	9063	12-24 X 3/4" FLAT COMBO THREAD SCREW
6	1	A1973	EXTERIOR ROSE INSERT ASSEMBLY
7	1	1997	CYLINDER RETAINER
8	1	1982	CYLINDER
9	2	1752	LEVER, "AMERICAN"
10	2	2752	LEVER, "CRESCENT"
11	2	3752	LEVER, "MONACO"
12	2	4752	LEVER, "TITAN"
13	1	A1971	INTERIOR ROSE INSERT ASSEMBLY
14	2	1985	10-32 X 2-1/2" FLAT HEAD MACHINE SCREW
15	1	1978	ROSE SHELL



ITEM #	Q-TY	PART #	DESCRIPTION
21	1	1334	DEADBOLT LATCH ASSEMBLY
22	4	9073	8-32 X 3/4" FLAT COMBO THREAD SCREW
23	1	1335	STRIKE
24	2	1136	DUST BOX
25	1	1982	CYLINDER
26	1	1353	CYLINDER TAIL
27	1	A1341	DEADBOLT OUTSIDE ASSEMBLY
28	1	A1349	DEADBOLT INSIDE TURNPIECE ASSEMBLY
29	2	1345	1/4-20 X 2-1/2" SCREW

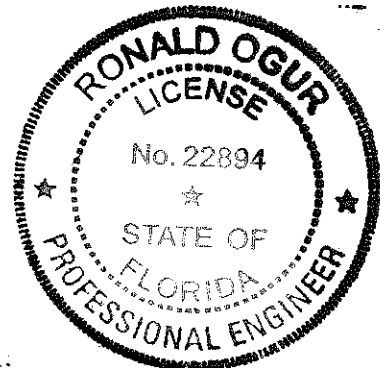
175-SERIES = ANSI A156.2 - 2011 GRADE 2  
 UL LISTED FOR 3 HOUR DOORS  
 EXPOSED TRIM: WROUGHT BRASS OR BRONZE  
 LEVERS ARE PRESSURE CAST ZINC, PLATED TO MATCH BHMA FINISHES.  
 KEYING: 6 PIN BRASS CYLINDERS WITH NICKEL SILVER KEYS.  
 BACK SET: 2 3/4" STANDARD, 2 3/8", 3 3/4" AND 5" AVAILABLE.  
 LATCHES: 1 1/8" X 2 1/4" FACEPLATE, 1/2" THROW STANDARD,  
 BRASS BOLT, 3/4" THROW AVAILABLE.  
 STRIKE: ANSI 1 1/4" X 4 7/8" X 1 3/16" LIP, OPTION S1.

DEAD BOLT SPECIFICATION:

130-SERIES = ANSI A156.36 - 2010 GRADE 2  
 EXPOSED TRIM: WROUGHT BRASS OR STAINLESS STEEL,  
 WITH PRESSURE CAST ZINC REINFORCEMENTS AND THUMBTURN  
 KEYING: 6 PIN BRASS CYLINDERS WITH NICKEL SILVER KEYS.  
 BACKSET: 2 3/4" STANDARD, 2 3/8" AVAILABLE  
 DEADBOLT: 1 1/8" X 2 1/4" FACEPLATE, 1" THROW STANDARD,  
 HIGH STRENGTH CAST ALLOY BOLT.  
 STRIKE: 1 1/8" X 2 3/4" STANDARD.

MARKS 175-475 SERIES CYLINDRICAL LOCK SET

*[Handwritten signature]*  
6-17-16



PREPARED BY:  
 RONALD OGUR  
 FPE # 22894  
 STRUCTURAL AND CIVIL ENGINEER  
 40 UNDERHILL BLVD.  
 SYOSSET, N.Y. 11791

PRODUCT REVISED  
 as complying with the Florida  
 Building Code  
 Acceptance No. 16-0316.03  
 Expiration Date Oct. 27, 2021  
 By *[Handwritten signature]*  
 Miami Dade Product Control

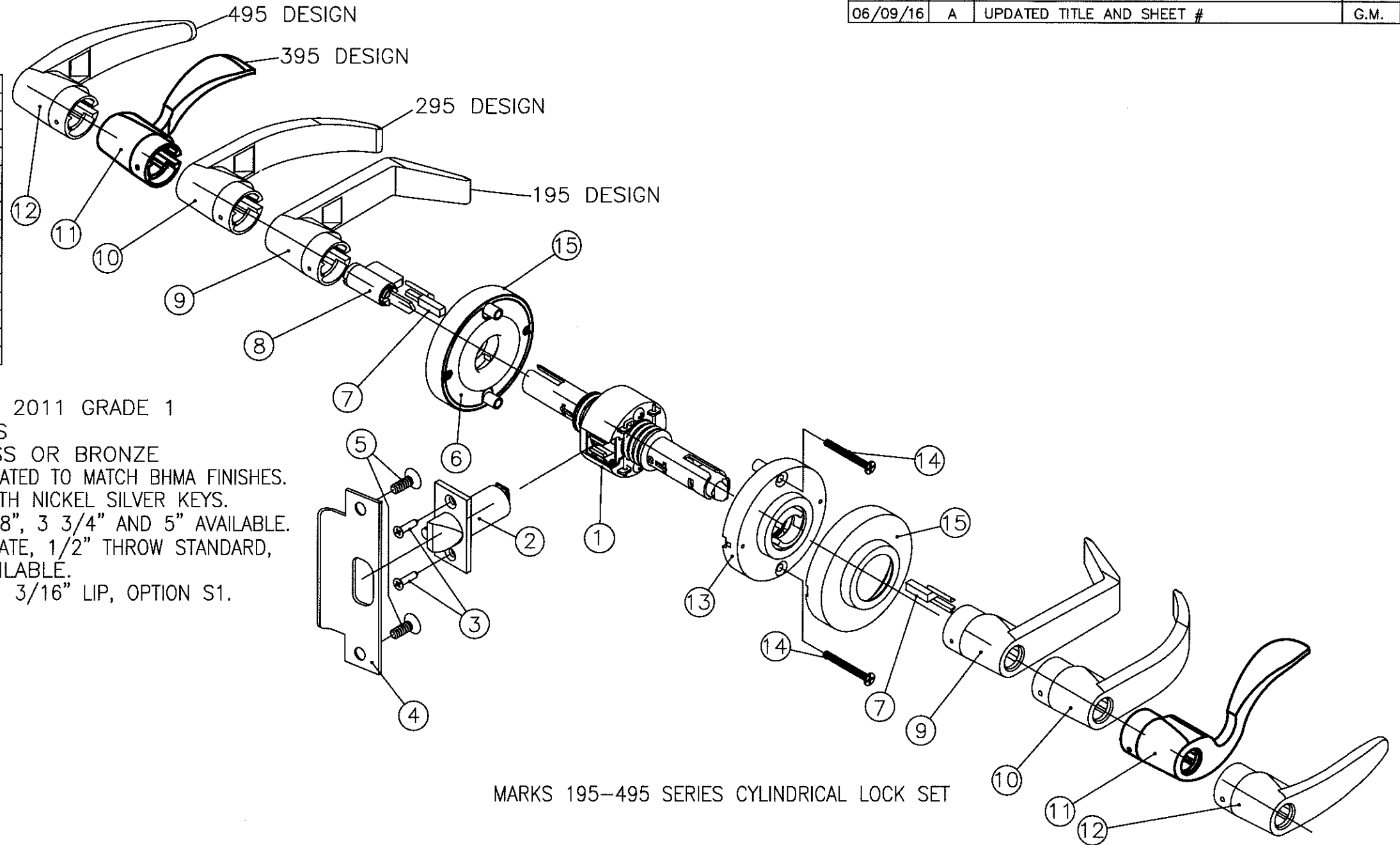
APPROVALS		DATE
DRAWN:	E.B.	11-09-15
CHECKED:		
APPROVED:		
UNLESS OTHERWISE SPECIFIED DIMENSIONS ARE IN INCHES.		
TOLERANCES ARE:		
FRACTIONS	DECIMALS	ANGLES
± 1/64	.XXX ± .005 .XX ± .010	± 1'
DO NOT SCALE DRAWING		

MARKS USA 1LLC  
 SUBSIDIARY OF NAPCO SECURITY TECHNOLOGIES INC.  
 TITLE: MARKS USA 175 / 475 SERIES CYLINDRICAL  
 & 130 SERIES TUBULAR DEADBOLT SPECIFICATIONS  
 DWG. NO. MD1 REV: A  
 SCALE: N.T.S. SHEET 7 OF 8

MD1  
SHEET 8 OF 8

DATE	REV.	DESCRIPTION	AUTH.	DRWN.	CHK.
06/09/16	A	UPDATED TITLE AND SHEET #	G.M.	L.M.	G.M.

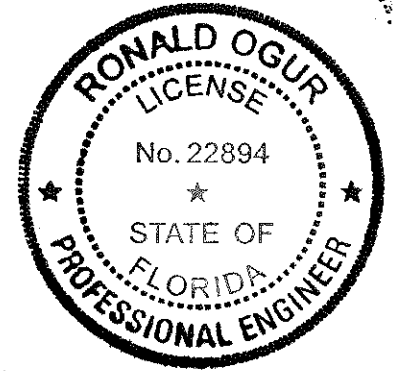
ITEM #	Q-TY	PART #	DESCRIPTION
1	1	A190	CYLINDRICAL LOCK CHASSIS
2	1	1134	LATCH ASSEMBLY, GRADE 1,
3	1	9073	8-32 X 3/4" FLAT COMBO THREAD SCREW
4	2	1135	STRIKE
5	2	9063	12-24 X 3/4" FLAT COMBO THREAD SCREW
6	1	A1973	EXTERIOR ROSE INSERT ASSEMBLY
7	1	1997	CYLINDER RETAINER
8	1	1982	CYLINDER
9	2	1752	LEVER, "AMERICAN"
10	2	2752	LEVER, "CRESCENT"
11	2	3752	LEVER, "MONACO"
12	2	4752	LEVER, "TITAN"
13	1	A1971	INTERIOR ROSE INSERT ASSEMBLY
14	2	1985	10-32 X 2-1/2" FLAT HEAD MACHINE SCREW
15	2	1978	ROSE SHELL



195-SERIES = ANSI A156.2 - 2011 GRADE 1  
 UL LISTED FOR 3 HOUR DOORS  
 EXPOSED TRIM: WROUGHT BRASS OR BRONZE  
 LEVERS ARE PRESSURE CAST ZINC, PLATED TO MATCH BHMA FINISHES.  
 KEYING: 6 PIN BRASS CYLINDERS WITH NICKEL SILVER KEYS.  
 BACK SET: 2 3/4" STANDARD, 2 3/8", 3 3/4" AND 5" AVAILABLE.  
 LATCHES: 1 1/8" X 2 1/4" FACEPLATE, 1/2" THROW STANDARD,  
 BRASS BOLT, 3/4" THROW AVAILABLE.  
 STRIKE: ANSI 1 1/4" X 4 7/8" X 1 3/16" LIP, OPTION S1.

MARKS 195-495 SERIES CYLINDRICAL LOCK SET

*Handwritten signature*  
6-17-16



PREPARED BY:  
 RONALD OGUR  
 FPE # 22894  
 STRUCTURAL AND CIVIL ENGINEER  
 40 UNDERHILL BLVD.  
 SYOSSET, N.Y. 11791

PRODUCT REVISED  
 as complying with the Florida  
 Building Code  
 Acceptance No. 16-0316.03  
 Expiration Date Oct. 21, 2021  
 By *Manuel Perez*  
 Miami Dade Product Control

APPROVALS	DATE
DRAWN: E.B.	11-09-15
CHECKED:	
APPROVED:	

UNLESS OTHERWISE SPECIFIED  
 DIMENSIONS ARE IN INCHES.

TOLERANCES ARE:

FRACTIONS	DECIMALS	ANGLES
± 1/64	.XXX ± .005 .XX ± .010	± 1'

DO NOT SCALE DRAWING

MARKS USA 1LLC  
 SUBSIDIARY OF NAPCO SECURITY TECHNOLOGIES INC.

TITLE: MARKS USA 195 SERIES  
 CYLINDRICAL LOCK SPECIFICATIONS

DWG. NO.	MD1	REV:	A
SCALE:	N.T.S.	SHEET	8 OF 8