



# FUSION™

## Integrated Enterprise Security Solution

ACCESS • LOCKING • INTRUSION • FIRE • VIDEO



### Managing enterprise risk & security just got more cost-effective and simpler, with one scalable, integrated solution powered by Continental CA3000

- Scalable, interoperable enterprise security platform : Integrates intrusion, fire, video, access & locking using Continental's CA3000 platform
- Fastest 1/2-second access door opens & high-speed processing
- Superior FIPS/TWIC/CAC ID-card compliance; multi-card, smart card, biometrics
- Global lockdown, threat level management & in-lists
- Real-time event linking, mapping, scheduling & logging
- Wired, wireless or hybrid; easy to deploy
- Lowest maintenance costs; longest warranties
- Retrofit Rebate Program - Upgrade 2 to thousands of doors. Rebate/door & Free 3-year software upgrade agreement
- **NO annual software licensing fees**
- Long-lived hardware, field-upgradable for decades of top performance
- **Access Control:** 2 to thousands of doors, unlimited users, one or global sites; remote web interface, standard.
- **Locking:** Standalone or Wireless Models. Interior & Edge Devices - Wireless Alarm Lock Trilogy® Network™ Networked pushbutton locks w/ built in HID® Prox Readers install in an hour; scheduled un/lock, updates and global-lockdown
- **Intrusion/Fire Systems :** Napco Commercial™ addressable, conventional & wireless - an institutional, educational favorite
- **Video:** DVR/NVR and camera control, on-demand & video archiving; IP and/or analog; LAN- or Cloud-based. Long, growing list of integrated video partners.

For more contact us 1-800-645-9445, email [fusionsales@napcosecurity.com](mailto:fusionsales@napcosecurity.com) or take a video tour online <http://bit.ly/vBUKYu>



Commercial & Government Solutions

[www.napcosecurity.com](http://www.napcosecurity.com)

CA3000/CardAccess, Trilogy Network and Napco Commercial are trademarks of Napco Security Technologies.



## Continental CA3000 Enterprise Solution Integrates Access Control, Video, Alarms & Locking

### Continental Access Control Panels

- CICIP1300
- CICIP1800T
- CICIP1800
- CICIP2800

Expandable to 4,000 Control Panels Maximum



### Server/PC with Continental CA3000 Enterprise Software (v.2.9+)



### Alarm Lock Trilogy® Networkx™ Wireless Access Locks

- PDL6100, PL6100 DL6100 (Cylindrical)
- PDL6200, PL6200 (Cylindrical w/Door Monitoring)
- PDL6500, PL6500 (Mortise)
- PDL6600, PL6600 (Mortise w/Door Monitoring)
- PDL7100 (Cylindrical Iclass prox reader)
- ETPDLN, ETPLN, ETDLN (Exit Trims)
- NET PANEL (One Door / Two Reader Wireless Controller)
- New! ArchiTech Network 9-Series

Up to 63 locks for each Gateway

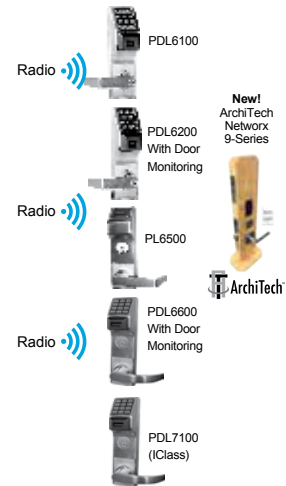


EXPANDABLE

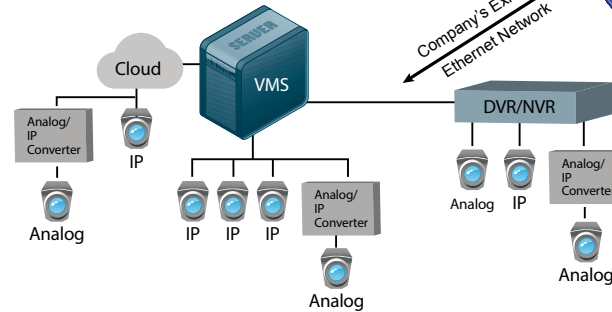
Up to 251 Gateways on each socket server



Network NET PANEL

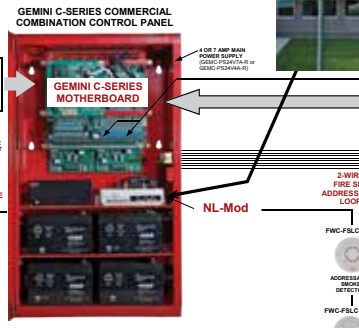
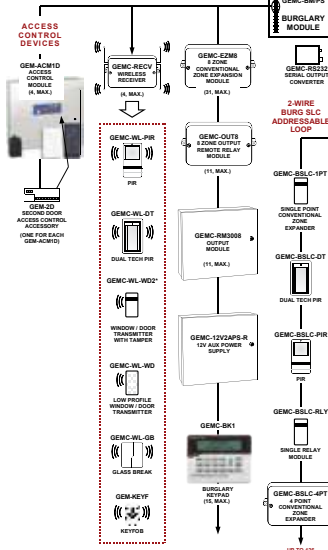


### Video VMS Software & IP/Analog Integration via Cloud or LAN



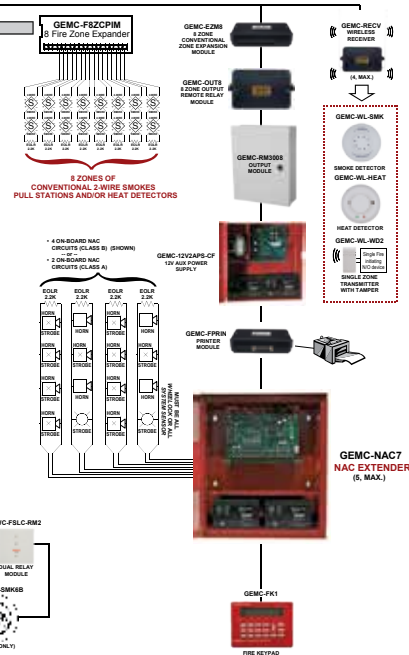
Choose from a Growing List of Video Partners: Milestone, Pelco DS & DX, Salient, Hitron & Integral

### BURGLARY BUS DEVICES



Local Internet/Intranet Alarm Reporting Option - Saves on response time & phone charges

### FIRE BUS DEVICES



1 Residential Burglary when both loops are used  
Single Commercial Burglary Supervised Loop and Integral Magnetic Contact

2 SLC MODULES, max.  
• Two Fire or  
• Two Burglary or  
• One Fire and one Burglary  
Note: The four GEMC-RECV max. is reduced by 1 for each SLC module.

## Napco Commercial™ GEMC-Series Intrusion &/or Fire Systems